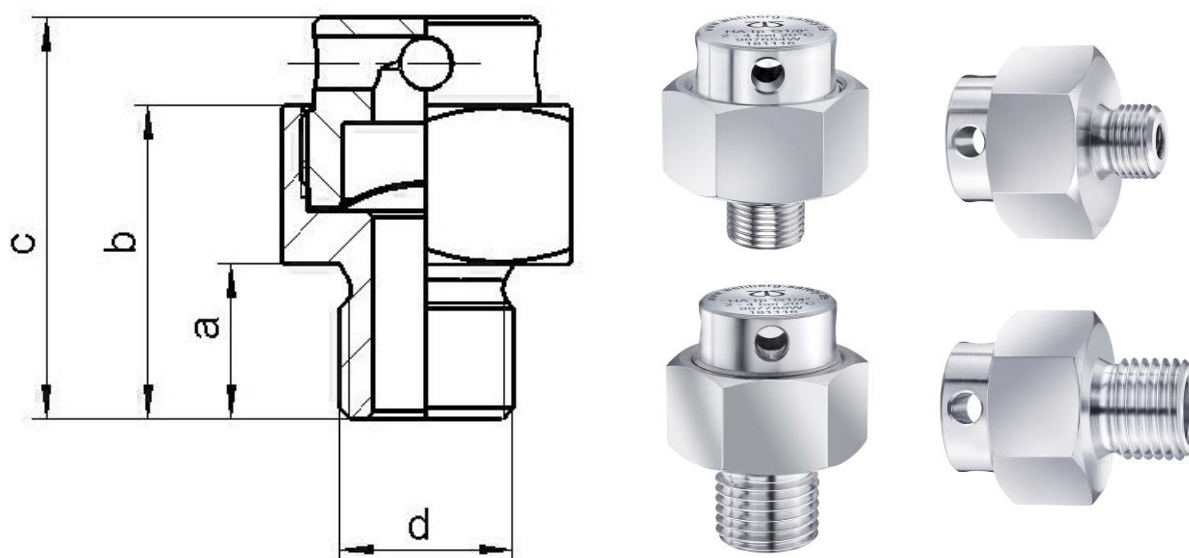


Hybrid Assembly® LP

Realizing low bursting pressures with small connection threads.



| d | a | b | c | WS | DN | suitable for pressures |
|--------|-------|-------|---------|----|------|------------------------|
| G 1/8" | 8 mm | 20 mm | 27,0 mm | 22 | 4 mm | 3 - 175 bar |
| G 1/4" | 12 mm | 24 mm | 30,8 mm | 22 | 8 mm | 3 - 225 bar |
| G 1/2" | 14 mm | 26 mm | 32,5 mm | 27 | 8 mm | 3 - 225 bar |

Sealing with : O-ring, USIT-rings or metallic seals (Cu, Al)
Marking : by laser
Housing : stainless steel 1.4404

Bursting elements made of : nickel
 : stainless steel
 (according to requirements and/or availability)